

SNV-6012M

2M Vandal-Resistant Network Mobile Flat Camera

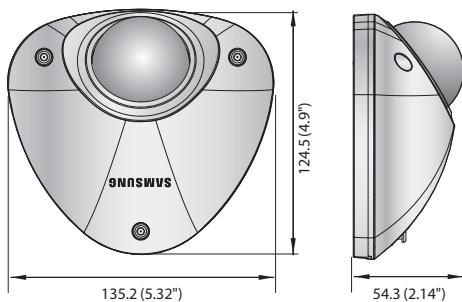


Key Features

- Max. 2megapixel (1920 x 1080) resolution
- 0.15Lux@F1.8 (Color), 0.15Lux@F1.8 (B/W)
- Built-in 3mm fixed lens
- H.264, MJPEG dual codec, Multiple streaming
- WDR (120dB), Enhanced DIS, Defog
- SD/SDHC/SDXC memory slot
- PoE, IP66, IK10, M12 connector, EN50155, EN50121

Dimensions

Unit : mm (inch)



* Data recorded on an SD memory card may be lost or damaged by data access during power-off, mechanical shock, memory card detachment, or other operations. Data loss or damage can also occur when a memory card reaches end of life, which varies according to operational conditions. No guarantee is given against damage (including passive damage).

SNV-6012M

VIDEO	
Imaging Device	1/2.8" 2.38M CMOS (IMX136)
Total Pixels	1,952(H) x 1,116(V)
Effective Pixels	1,944(H) x 1,104(V)
Scanning System	Progressive
Min. Illumination	Color : 0.3Lux (1/30sec, F1.2, 50IRE), 0.005Lux (2sec, F1.2, 50IRE), 0.15Lux (1/30sec, F1.8, 50IRE) B/W : 0.3Lux (1/30sec, F1.8, 50IRE), 0.15Lux (F1.8, 30IRE)
S / N Ratio	50dB
Video Output	CVBS : 1.0Vpp / 75Ω composite, 720 x 480(N), 720 x 576(P), for installation DIP connector type
LENS	
Focal Length (Zoom Ratio)	3mm fixed
Max. Aperture Ratio	F2.0
Angular Field of View	H : 103.1° / V : 53.9° / D : 124.5°
Lens Type	Fixed iris
Mount Type	Board-in type
PAN / TILT	
Pan Range	-10° ~ 10°
Tilt Range	0° ~ 90°
OPERATIONAL	
Camera Title	Off / On (Displayed up to 45 characters)
Day & Night	Auto (Electrical) / Color / B/W / Schedule
Backlight Compensation	Off / BLC
Wide Dynamic Range	120dB
Contrast Enhancement	SSDR (Off / On)
Digital Noise Reduction	SSNR III (2D+3D noise filter) (Off / On)
Digital Image Stabilization	Off / On
Defog	Off / Auto / Manual
Motion Detection	Off / On (4ea 4 points polygonal zones)
Privacy Masking	Off / On (32 zones with 4 points of polygonal)
Gain Control	Off / Low / Middle / High
White Balance	ATW / AWC / Manual / Indoor / Outdoor
Electronic Shutter Speed	Minimum / Maximum / Anti flicker (2 ~ 1/1,000sec)
Flip / Mirror	Off / On
Intelligent Video Analytics	Tampering, Virtual line, Enter / Exit, (Dis)Appear, Face detection
Alarm Triggers	Motion detection, Face detection, Video analytics, Network disconnection, Tampering
Alarm Events	File upload via FTP and E-mail, Notification via E-mail, Local storage (SD/SDHC/SDXC) or NAS recording at Event (Alarm triggers)
NETWORK	
Ethernet	10Base-T / 100Base-TX, M12 connector (4poles, Female, D-coding)
Video Compression Format	H.264 (MPEG-4 part 10/AVC), MJPEG
Resolution	1920 x 1080, 1280 x 1024, 1280 x 960, 1280 x 720, 1024 x 768, 800 x 600, 800 x 450, 640 x 480, 640 x 360, 320 x 240, 320 x 180
Max. Framerate	H.264 : Max. 60fps at all resolutions MJPEG : 1920 x 1080, 1280 x 1024, 1280 x 960, 1280 x 720, 1024 x 768 : Max. 15fps 800 x 600, 800 x 450, 640 x 480, 640 x 360, 320 x 240, 320 x 180 : Max. 30fps
Video Quality Adjustment	H.264 : Compression level, Target bitrate level control, MJPEG : Quality level control
Bitrate Control Method	H.264 : CBR or VBR, MJPEG : VBR
Streaming Capability	Multiple streaming (Up to 10 profiles)
IP	IPv4, IPv6
Protocol	TCP/IP, UDP/IP, RTP(UDP), RTP(TCP), RTCP, RTSP, NTP, HTTP, HTTPS, SSL/TLS, DHCP, PPPoE, FTP, SMTP, ICMP, IGMP, SNMPv1/v2c/v3(MIB-2), ARP, DNS, DDNS, QoS, PIM-SM, UPnP, Bonjour
Security	HTTPS(SSL) login authentication, Digest login authentication IP address filtering, User access log, 802.1x authentication
Streaming Method	Unicast / Multicast
Max. User Access	15 users at unicast mode
Edge Storage	SD/SDHC/SDXC - Motion Images recorded in the SD/SDHC/SDXC memory card can be downloaded. NAS (Network Attached Storage)
Application Programming Interface	ONVIF profile S, HTTP API (SUNAPI) 2.0, SVPN 1.2
Webpage Language	English, French, German, Spanish, Italian, Chinese, Korean, Russian, Japanese, Swedish, Danish, Portuguese, Turkish, Polish, Czech, Rumanian, Serbian, Dutch, Croatian, Hungarian, Greek, Norwegian, Finnish
Web Viewer	Supported OS : Windows XP / VISTA / 7 / 8 / 8.1, MAC OS X 10.7 Supported Browser : Microsoft Internet Explorer (Ver. 11 ~ 8) Mozilla Firefox (Ver. 19 ~ 9) * Windows only Google Chrome (Ver. 25 ~ 15) * Windows only Apple Safari (Ver. 6.0.2(Mac OS X 10.8, 10.7 only), 5.1.7) * Mac OS X only
Central Management Software	SmartViewer
Mobile Viewer	iPOLiS mobile
ENVIRONMENTAL	
Operating Temperature / Humidity	-30°C ~ +55°C (-22°F ~ +131°F) / Less than 90% RH
Storage Temperature / Humidity	-30°C ~ +60°C (-22°F ~ +140°F) / Less than 90% RH
Ingress Protection	IEC 60529 IP66
Vibration Resistance	EN 50155 class T3 (Vibration, shock, bump, temperature) EN 50121, ISO 16750-3 (Vibration)
Vandal Resistance	IEC 62262 class IK10 (20J)
UL	UL60590-1
ELECTRICAL	
Input Voltage / Current	PoE (Class A type only)
Power Consumption	Max. 7.5W
MECHANICAL	
Color / Material	Ivory / Aluminum
Dimensions (WxHxD)	135.2 x 54.3 x 124.5mm (5.32" x 2.14" x 4.9")
Weight	530g (1.17 lb)

* The latest product information / sepecification can be found at <http://security.hanwhatechwin.com>