

K-EW114L01E (Vari Focal 2.8 - 12 mm)

K-EW114L03E (Focal Length 3.6 mm)

K-EW114L06E (Focal Length 6.0 mm)

K-EW114L08E (Focal Length 8.0 mm)



K-EW114L01E

K-EW114L03E, K-EW114L06E, K-EW114L08E



IP66  
standard

## 1.3 Megapixel 720p Weatherproof Camera Equipped with IR LED

### Key Features

- 1/3 type 1.3 Megapixel CMOS Sensor
- H.264 & MJPEG dual-stream encoding
- 30fps@1.3 M (1280 × 960) & 30fps@720p (1280 × 720)
- Day/Night (ICR\*), AWB, AGC, BLC
  - \*ICR : IR Cut filter Removal
- Max. IR LEDs length 30 m
- Vari focal lens 2.8 - 12 mm (K-EW114L01E)
- Fixed lens 3.6 mm (K-EW114L03E) / 6.0 mm (K-EW114L06E) / 8.0 mm (K-EW114L08E)
- IP66 rated water and dust resistant.
- PoE

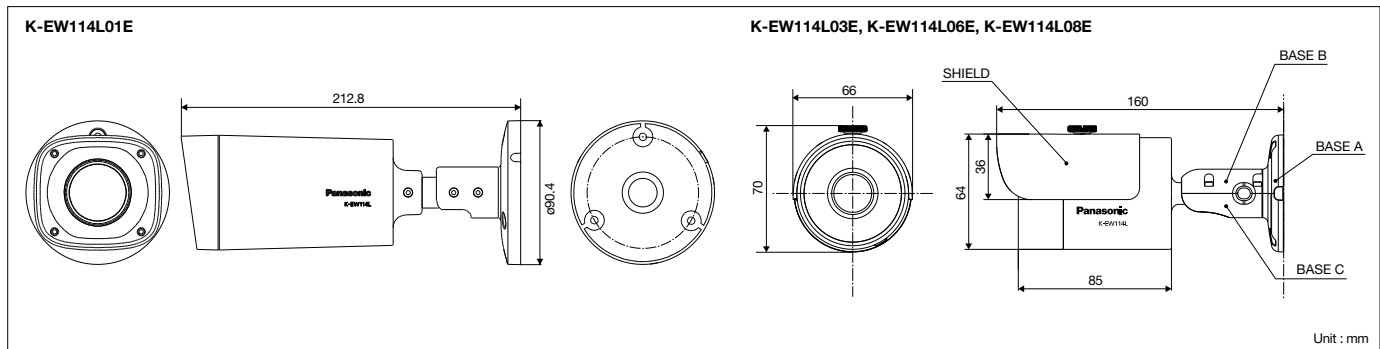
## Specifications

Model	K-EW114L01E	K-EW114L03E	K-EW114L06E	K-EW114L08E
<b>Camera</b>				
Image Sensor	1/3 type 1.3 mega pixels progressive scan CMOS Sensor			
Effective Pixels	1280 (H) × 960 (V)			
Scanning System	Progressive			
Electronic Shutter Speed	Auto / Manual, 1/3 - 1/100,000			
Min. Illumination	0.1 lx / F1.4 (Color)*1, 0.01 lx / F1.4 (B/W) ; 0 lx / F1.4 (IR on)		0.05 lx / F1.2 (Color), 0.025 lx / F1.2 (B/W) ; 0 lx / F1.2 (IR on)	
S/N Ratio	More than 50 dB			
Video Output	N/A			
<b>Camera Features</b>				
Max. IR LEDs Length	30 m			
Day/Night (ICR)	Auto (IR) / Color / B/W			
Backlight Compensation	BLC / HLC / WDR			
White Balance	Auto / Manual			
Gain Control	Auto / Manual			
Noise Reduction	3D			
Privacy Masking	Up to 4 areas			
<b>Lens</b>				
Focal Length	2.8 mm - 12 mm	3.6 mm	6.0 mm	8.0 mm
Max Aperture	F1.4		F1.8	
Angle of View	H : 92° - 28° V : 17° - 47°		H : 70° V : 51.5°	
			H : 46.5° V : 35°	
Lens Type	Motorized / Fixed Iris		Fixed lens	
<b>Video</b>				
Compression	H.264 / MJPEG			
Resolution	1.3 M (1280 × 960) / 720p (1280 × 720) / D1 (704 × 480) / CIF (352 × 240)			
Frame Rate	Stream (1)	1.3 M / 720p (1 - 30fps)		
	Stream (2)	D1/CIF (1 - 30fps)		
Bit Rate	H.264 : 32K - 8192 Kbps			
<b>Network</b>				
Ethernet	RJ45 (10/100Base-T)			
Protocol	IPv4/IPv6, HTTP, HTTPS, SSL, TCP/IP, UDP, UPnP, ICMP, IGMP, SNMP, RTSP, RTP, SMTP, NTP, DHCP, DNS, PPPoE, DDNS, FTP, IP Filter, QoS, Bonjour, Onvif compatible			
Max. User Access	20 users			
Smart Phone	iPhone, iPad, Android™			
<b>General</b>				
EMS Standard	EN55022 Class B, EN55024			
Power Supply	DC12 V, PoE (IEEE802.3af)			
Power Consumption	Max 8.5 W		Max 5 W	
Ambient Operating Temperature/ Humidity	-30°C to +60°C		-20°C to +60°C /	
	Less than 95% RH		Less than 95% RH	
Water and Dust Resistance	IP66			
Vandal Resistance	N/A			
Dimensions	72 mm × 80 mm × 212.8 mm		70 mm × 66 mm × 160 mm	
Weight	0.65 kg		0.5 kg	

\*1 [Image Adjust] Shutter: (0-)80 ms, Gain: (0-)100"

- Panasonic Security Viewer is not supported
- EMS (E-Series Management Software) & Mobile-EMS do not support i-PRO series NVR
- i-PRO series NVR limitations :
  1. Live & Playback (Split screen) may not support frame rate setting of camera.
  2. Resolution (Live, Playback & REC), only SXVGA (1280 × 960) is available.
- See support web page below for further details  
<http://security.panasonic.com/pss/security/library/e-series.html>

## Appearance



### Trademarks and registered trademarks

- iPad, iPhone and iPod touch are registered trademarks of Apple Inc.
- Android is a trademark of Google Inc.
- ONVIF is trademarks of ONVIF Inc.

### Important

- Safety Precaution: Carefully read the Important Information, Installation Guide and operating instructions before using this product.
- Panasonic cannot be responsible for the performance of the network and/or other manufacturers' products used on the network.

- Masses and dimensions are approximate.
- Specifications are subject to change without notice.

DISTRIBUTED BY:

# Panasonic

<http://security.panasonic.com/pss/security/library/e-series.html>

(2A-129EA)